

Egate-20

Ethernet over E1/T1 Aggregator



FEATURES

- Interconnects multiple E1 and T1 circuits and packet networks
- Up to four 10/100BaseT ports
- Up to eight E1/T1 ports
- Inband and out-of-band management access via:
 - ASCII terminal
 - Web browser
 - Telnet
 - SNMP
 - RADviewLite
- 4-levels of QoS, based on four VLAN priority queues as per 802.1p
- Plug-and-play using DHCP client
- Fault propagation of E1 or T1 error conditions to Ethernet port

DESCRIPTION

- Egate-20 is an affordable Ethernet over E1/T1 aggregator interconnecting TDM and packet networks. Enabling service providers to provide transparent layer 2 VPN services, reduce equipment costs and simplify network maintenance.
- Up to four 10/100BaseT ports connecting to the packet network and eight E1/T1 ports connecting remote subscribers to the service. The ports can be configured to be clear channel (G.703) or channelized (G.703 and G.704) supporting up to 64 logical connections.
- Egate-20 is controlled via in-band or out-of-band (SNMP, Telnet, WEB) management from the Fast Ethernet user port. Management traffic and user Ethernet traffic are transported together on the same Ethernet flow, separated by different VLANs, which ensures traffic security. Local management is supported via an ASCII terminal.

- DHCP server is employed to provide automatically IP address, IP mask and default gateway saving precious time.
- Egate-20 maps Ethernet traffic over E1/T1 or time slot bundles, to specific VLANs interconnecting remote subscribers to the packet network. A double VLAN tagging option enables transporting user traffic transparently, keeping all the user LAN settings intact.
- Four priority levels are supported providing high priority to real time applications such as voice and video.
- Typical applications include:
 - Layer 2 metro Ethernet VPN services over E1/T1 lines. Together with RAD's RIC and FCD CPEs a complete access solution is provided.
 - Front end routing for higher utilization of edge router ports
 - Replacing expensive router interfaces
- The devices are managed inband from the Fast Ethernet user port or via the TDM port. Management traffic and user Ethernet traffic are transported together on the same Ethernet flow, separated by different VLANs, which ensures traffic security.

Egate-20

Ethernet over E1/T1 Aggregator

SPECIFICATIONS

E1 INTERFACE

- **Number of Ports**
Eight
- **Compliance**
G.703
- **Data Rate**
2.048 Mbps
- **Line Code**
HDB3, AMI
- **Framing**
Unframed
- **Line Impedance**
120Ω, balanced
- **System Clock**
Internal or loopback timing
- **Diagnostics**
Remote and local loopback
- **Connector**
RJ-45

T1 INTERFACE

- **Number of Ports**
Eight
- **Compliance**
T1.403
- **Data Rate**
1.544 Mbps
- **Line Code**
B8ZS, AMI
- **Framing**
Unframed
- **Line Impedance**
100Ω, balanced
- **System Clock**
Internal or loopback timing

- **Diagnostics**
Remote and local loopback
- **Connector**
RJ-45

WAN PROTOCOL

- **Type**
HDLC-like framing (native HDLC compatible with RAD products)

ETHERNET INTERFACE

- **Type**
10/100 Mbps autonegotiation, full/half duplex, flow control
- **Compliance**
Conforms to the relevant sections of IEEE 802.3 and 802.3u
- **Connector**
RJ-45

GENERAL

- **Indicators**
PWR (green) – Power status
WAN (yellow) – Ethernet status
ALM (red) – Alarm status
- **Power**
AC: 100 to 240 VAC (±10%),
50 to 60 Hz
DC: -48 VDC (±10%)
- **Power Consumption**
5W
- **Environment**
Temperature: 0–50°C/32–122°F
Humidity: Up to 90%
non-condensing

Physical

- Height: 437 mm / 1.7 in (1U)
- Width: 215 mm / 8.5 in
- Depth: 300 mm / 11.8 in
- Weight: 2.2 kg / 4.7 lb

ORDERING

Egate-20/E1/*

Ethernet over E1 Aggregator

Egate-20/T1/*

Ethernet over T1 Aggregator

* Specify power supply type:

AC for 100–240 VAC

48 for -48 VDC

RM-35

Hardware kit for mounting one or two RIC-155GE units in a 19-inch rack.

APPLICATION

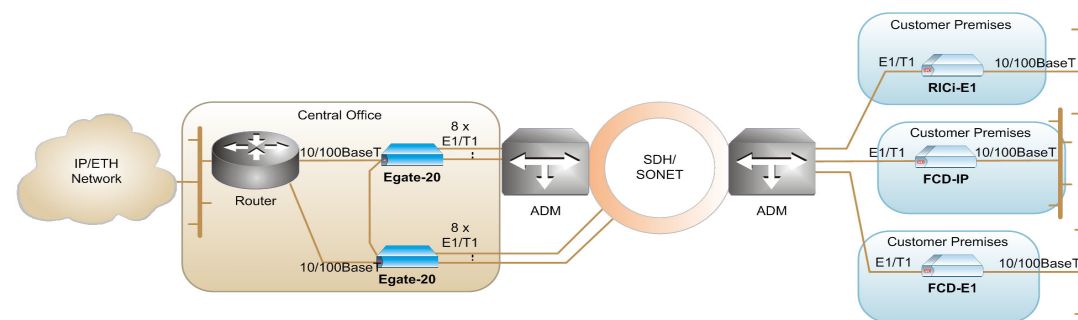


Figure 1. Aggregated Ethernet over E1/T1 circuit

RAD

data communications

www.rad.com

- **International Headquarters**
24 Raoul Wallenberg Street
Tel Aviv 69719, Israel
Tel: (972) 3-6458181
Fax: (972) 3-6498250, 6474436
Email: market@rad.com
- **U.S. Headquarters**
900 Corporate Drive
Mahwah, NJ 07430
Tel: (201) 529-1100
Toll free: 1-800-444-7234
Fax: (201) 529-5777
Email: market@radusa.com

000-100-11/04